

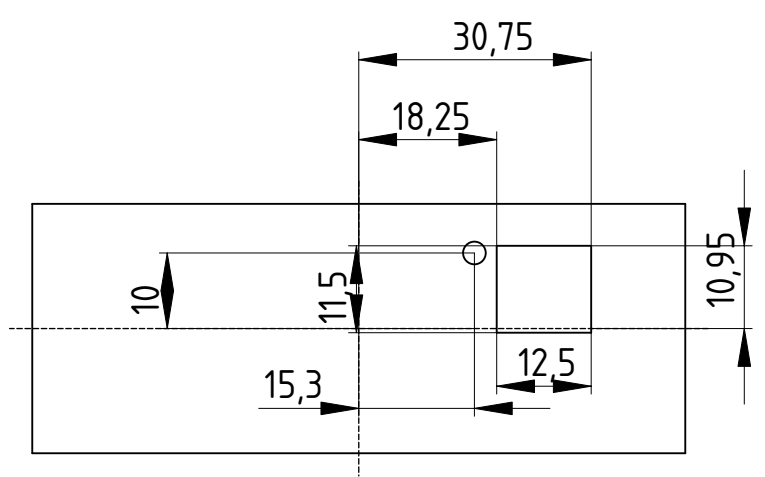
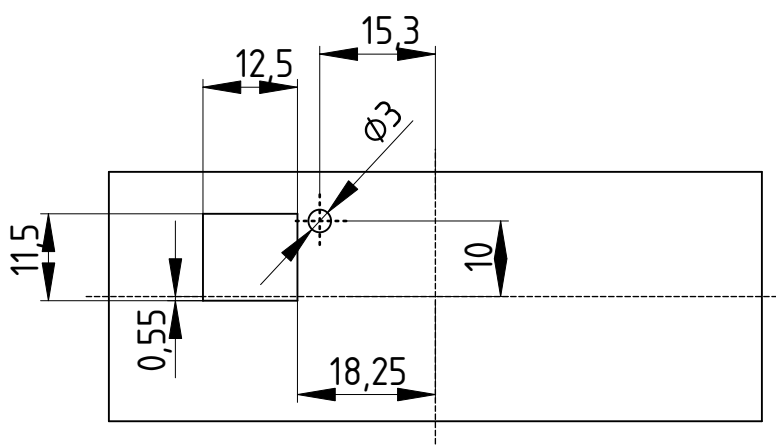
F E D C B A

4

3

2

1




4

3

2

1

F E D

DESIGNED BY: CONSTR.KH.UA		USB TwoWay Switch 1		G	—
DATE: 11.09.2023		Front panel		F	—
SIZE A4				E	—
				D	—
SCALE 1:1	WEIGHT (kg) Weight	DRAWING NUMBER Drawing number	SHEET 1/5	C	—
This drawing is our property; it can't be reproduced or communicated without our written consent.				B	—
				A	—

F

E

D

C

B

A

4

4

3

3

2

2

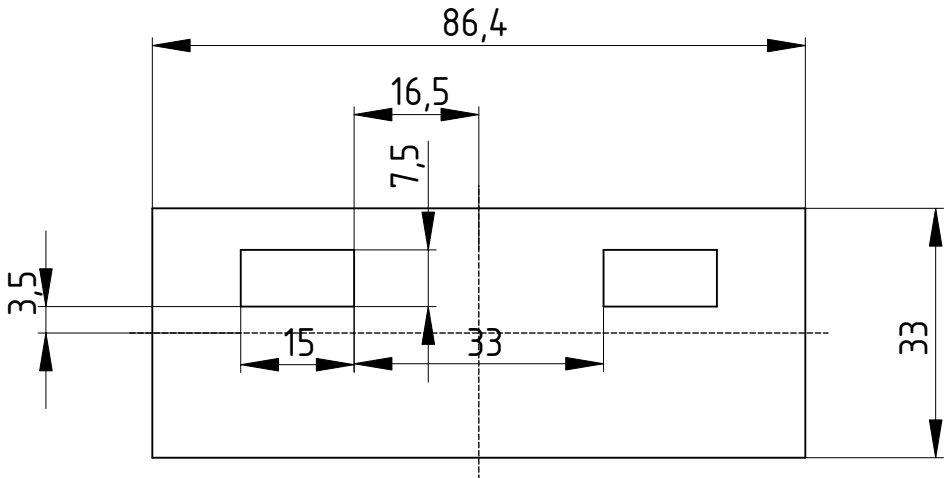
1


1

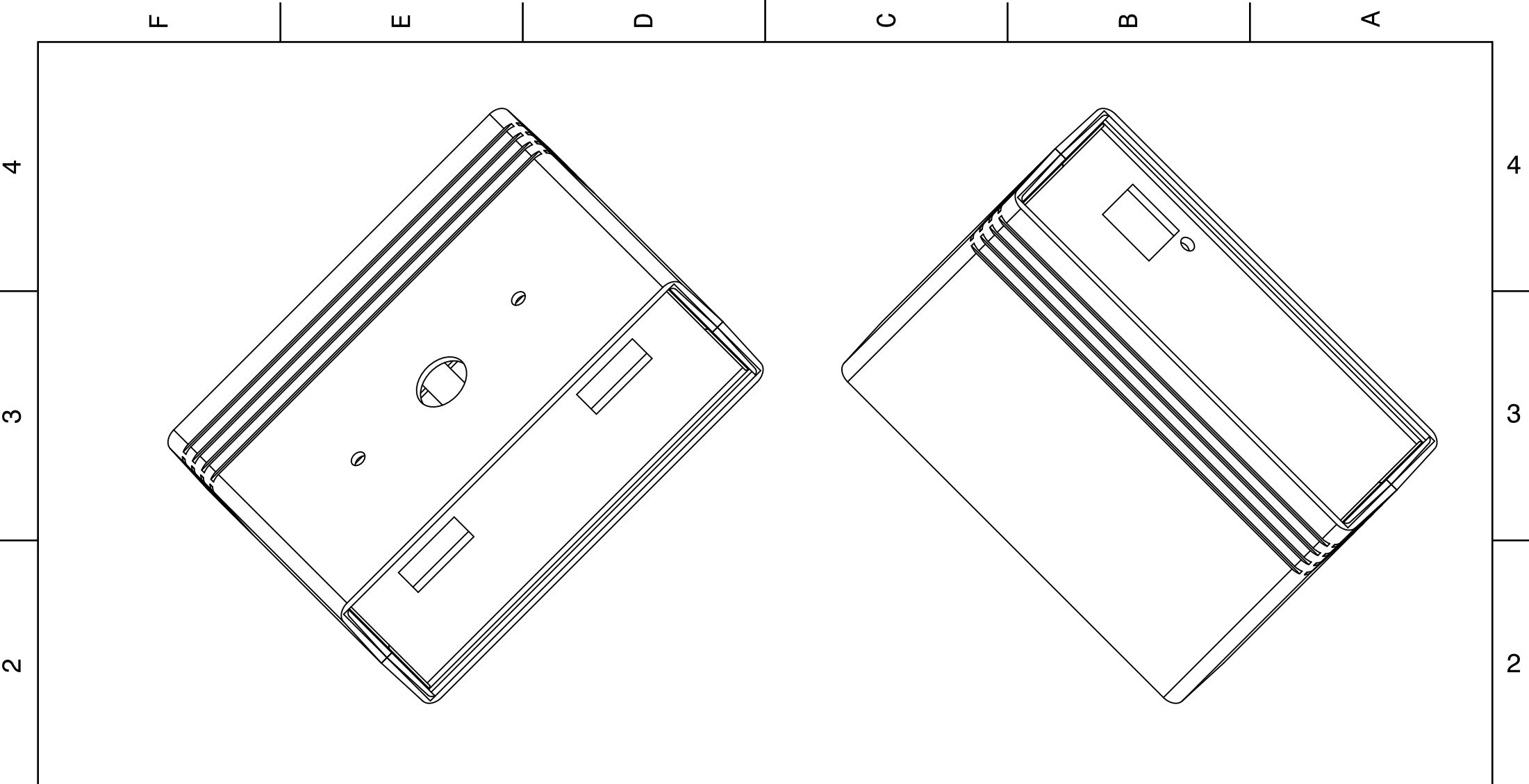
F


E

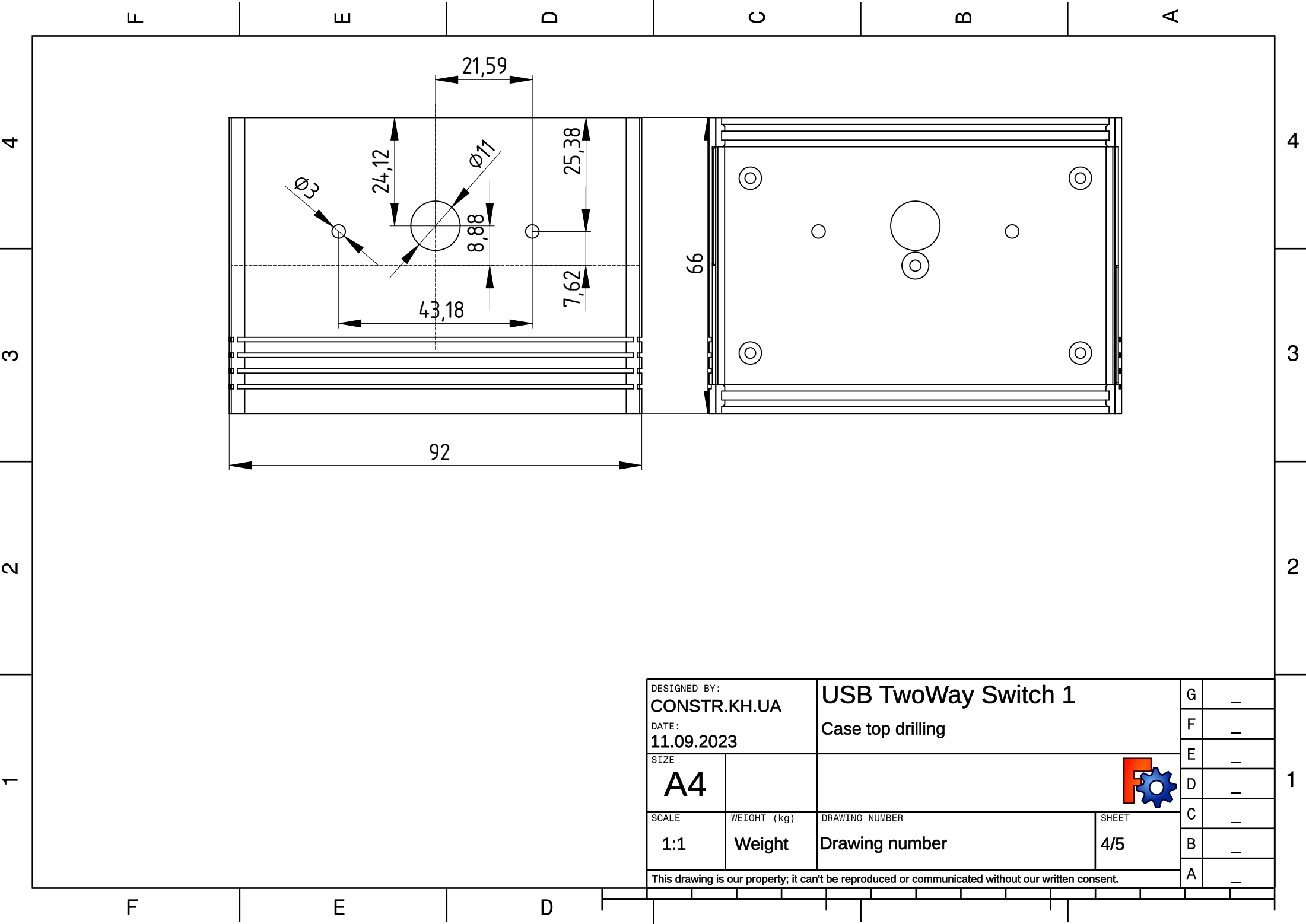
D




DESIGNED BY: CONSTR.KH.UA		USB TwoWay Switch 1		G	—
DATE: 11.09.2023		Back panel		F	—
SIZE A4				E	—
				D	—
SCALE 1:1	WEIGHT (kg) Weight	DRAWING NUMBER Drawing number	SHEET 2/5	C	—
This drawing is our property; it can't be reproduced or communicated without our written consent.				B	—
				A	—



DESIGNED BY: CONSTR.KH.UA		USB TwoWay Switch 1		G	—
DATE: 11.09.2023		Case view		F	—
SIZE A4				E	—
SCALE 1:1	WEIGHT (kg) Weight			D	—
	DRAWING NUMBER Drawing number	C	—	B	—
	SHEET 3/5	A	—	A	—
This drawing is our property; it can't be reproduced or communicated without our written consent.					



DESIGNED BY: CONSTR.KH.UA		USB TwoWay Switch 1		G	—
DATE: 11.09.2023		Case top drilling		F	—
SIZE A4				E	—
SCALE 1:1				DRAWING NUMBER Drawing number	
WEIGHT (kg) Weight		SHEET 4/5		C	—
This drawing is our property; it can't be reproduced or communicated without our written consent.				B	—
				A	—

F

E

D

C

B

A

4

4

3

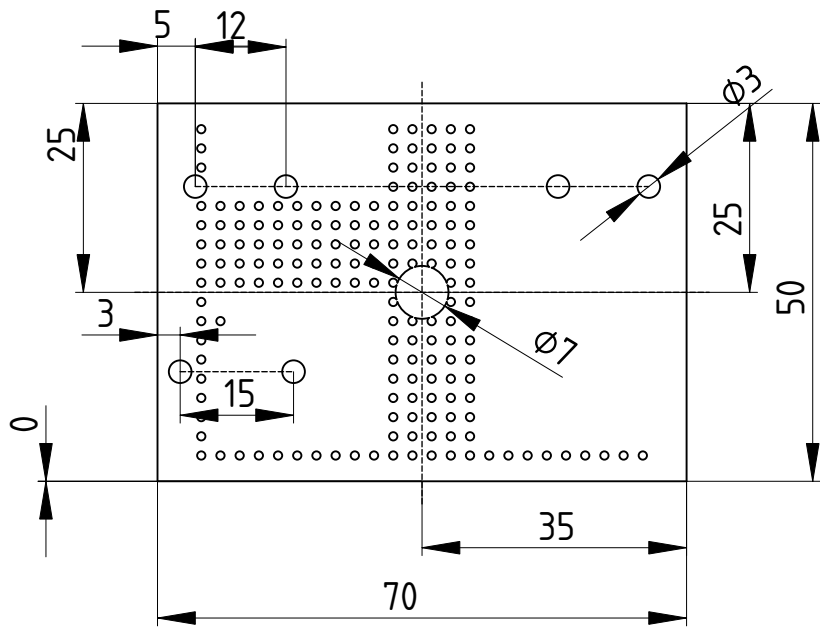
3


2

2

1

1



DESIGNED BY: CONSTR.KH.UA		USB TwoWay Switch 1		G	—
DATE: 11.09.2023		PCB drilling		F	—
SIZE A4				E	—
				D	—
SCALE 1:1	WEIGHT (kg) Weight	DRAWING NUMBER Drawing number	SHEET 5/5	C	—
This drawing is our property; it can't be reproduced or communicated without our written consent.				B	—
				A	—

F

E

D